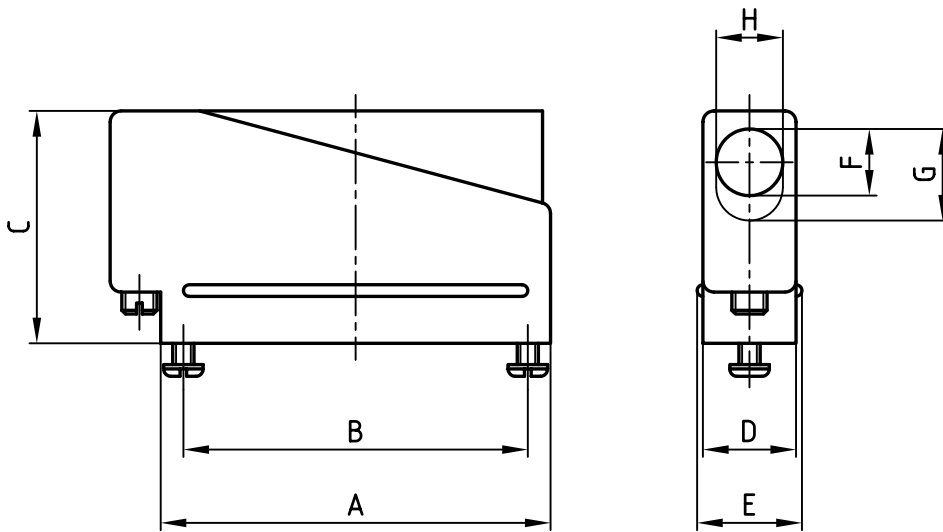


used for: D-SUB



| No. of pos. | A    | B    | C    | D    | E    | F    | G    | H    | Part NO.    |
|-------------|------|------|------|------|------|------|------|------|-------------|
| 9           | 30.9 | 25.0 | 25.4 | 12.7 | 14.3 | 7.1  | ---- | ---- | 165X10439XE |
| 15          | 39.3 | 33.3 | 25.4 | 12.7 | 14.3 | 9.1  | ---- | ---- | 165X10449XE |
| 25          | 53.2 | 47.0 | 31.7 | 12.7 | 14.3 | ---- | 12.5 | 9.1  | 165X10459XE |
| 37          | 69.4 | 63.5 | 38.1 | 12.7 | 14.3 | ---- | 17.6 | 9.1  | 165X10469XE |
| 50          | 67.1 | 61.1 | 38.1 | 15.5 | 17.0 | ---- | 18.6 | 11.9 | 165X10479XE |

APPROVAL # FREIGABE # DEBLOCAGE # AUTORIZACION # APPROVAL

CUSTOMER APPROVAL DATE:

NAME: TITLE:

COMPANY NAME:

APPROVAL # FREIGABE # DEBLOCAGE # AUTORIZACION # APPROVAL



THIS DRAWING MAY NOT BE COPIED OR REPRODUCED IN ANY WAY, AND MAY NOT BE PASSED ON TO A THIRD PARTY WITHOUT WRITTEN PERMISSION. OWNERSHIP AND COPYRIGHT OF CONEC GmbH DO NOT ALTER CAD DRAWING BY HAND

| tolerance |             | dim. in mm   |      |
|-----------|-------------|--------------|------|
| 2006      | date        | name         |      |
| drawn     | 07.02.      | Lehmenkühler |      |
| appd.     | 07.02.      | Mickenbecker |      |
| norm      |             |              |      |
| d-old     |             |              |      |
| a         | Origin      |              |      |
| rev.      | description | date         | name |



|           |  |         |
|-----------|--|---------|
| scale:    | 1:1  |         |
| material: | HOOD: POLYAMID                                   |         |
| title:    | ONE PIECE PLASTIC HOOD<br>9-50pos.<br>side entry |         |
| dwg no:   | AutoCAD 2004                                     | DIN-A   |
|           | 16K1A1738  | 4       |
| part no:  | SEE TABLE  |         |
|           |  | sh: 1/1 |